

New propeller

# SWIRL-2

FOR DIRECT DRIVE 4 STROKES ENGINE

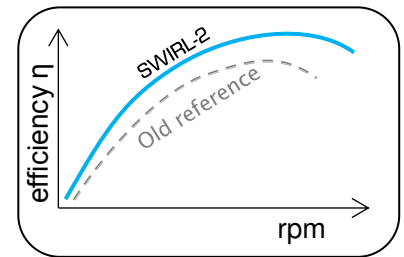


## New propeller SWIRL-2 FOR DIRECT DRIVE 4 STROKES ENGINE



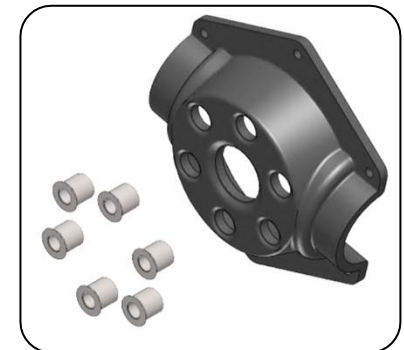
### >>> Description

Specific development for direct drive 4 strokes engine  
New innovative design for a large cruise extension  
Higher "Constant speed" effect & Higher efficiency  
Low fuel consumption & Low noise  
Carbon composite blades and hub – Low weight & Low inertia  
Manufacture of high precision – Metal inserts in the carbon hub  
Hub in Standard or Compact version (for Ø210mm spinner)



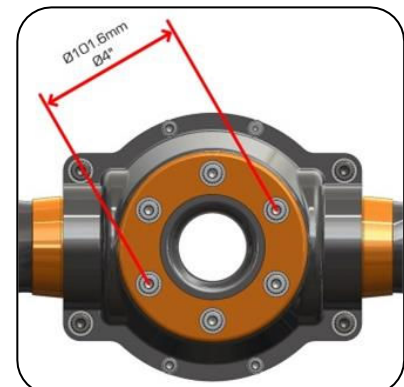
### >>> Characteristics

- Certification LSA (ASTM F2506-10)
- Clockwise
- Diameters Ø64" to Ø75" (Ø1620 to Ø1900mm)
- 2 blades – 3.20kg
- Shielding leading edge in Inconel®
- Excellence version "SWIRL-2-R":
  - Longitudinal reinforced carbon structure
  - Higher bending strength
  - Titanium color finishing
  - Advanced controls



### >>> Application

3-axis/LSA; Tractor airplane  
Engine 80-125hp: Jabiru, UL Power, D-Motor, Continental, Lycoming



### >>> Version

Two-blade Inconel SWIRL-2	1 129 €
Two-blade Inconel SWIRL-2-R	1 483 €